



ALDRICH Reciprocating Pumps
Industrial Solutions & Related Services

ABOUT ALDRICH

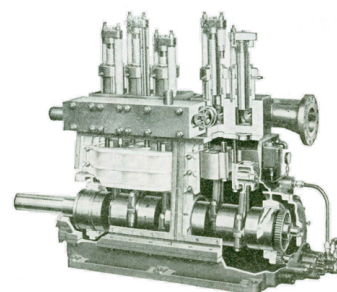
ALDRICH by PLEUGER is a leading manufacturer of Reciprocating Pumps and systems. Thousands of installations worldwide perform reliably in various applications and developed to an indispensable part in multiple industries. Our customized solutions are trusted throughout the world in oil and gas, mining, refineries, water, energy, offshore and onshore plants, and general industries. Founded in 1929, PLEUGER has continuously designed and developed submersible pumps and motors, marine propulsion systems, and reciprocating pumps to the highest of industry standards. As a manufacturer, PLEUGER Industries offers ALDRICH units, Spare parts, and Services for global customers. Our products perform even in the most extreme and harshest of environments. That's why the ALDRICH and the PLEUGER brands are renowned worldwide for quality and reliability.

ALDRICH RECIPROCATING PUMPS – A BRIEF HISTORY

ALDRICH MILESTONES

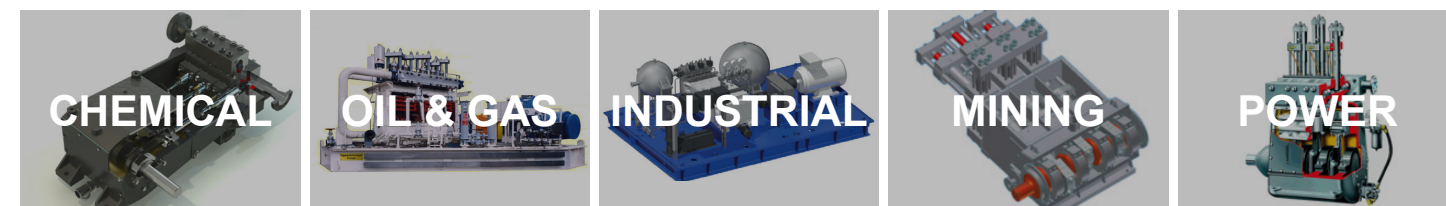
- Founded in 1902, division of Allentown Rolling Mills
- 1916 - direct drive for reciprocating pumps
- 1918 - high-speed pumps with 120 rpm crankshaft speed
- First in building Quintuplex Pumps
- 1939 - crankshaft operating speeds of 225 rpm
- Development of porcelain plungers
- First in developing Septuplex & Nonuplex Pumps
- Developed synchronized suction valve unloaders

ALDRICH Reciprocating Plunger Pumps are inherently designed for reliable high-energy, heavy-duty service in specialized applications. Meeting API 674 design and performance criteria, each pump is engineered to provide continuous-duty operation over a 20-year design life. Offering a wide variety of hydraulic, mechanical, and materials options, ALDRICH Reciprocating Plunger Pumps can be constructed to meet the specific characteristics of the most demanding applications, including abrasive slurries and high viscosity liquids. This results in maximum operating flexibility with minimum life cycle costs.



MARKETS & INDUSTRIES

Typical Applications



- | | | | | |
|--|--|--|---|---|
| <p>CHEMICAL</p> <ul style="list-style-type: none"> ▪ Fatty Acid ▪ Fertilizer <ul style="list-style-type: none"> ▪ Ammonia ▪ Carbamate ▪ Reactor Feed (multiple chemicals) ▪ Detergent Production | <p>OIL & GAS</p> <ul style="list-style-type: none"> ▪ Crude oil Transport ▪ Slop Oil Transfer ▪ Methanol Injection ▪ MEG / TEG Gas Drying ▪ LPG / NGL Injection / Export ▪ Secondary Oil Recovery: <ul style="list-style-type: none"> ▪ CO2 Injection ▪ Steam flood ▪ Saltwater injection ▪ Hot Oil Services | <p>INDUSTRIAL</p> <ul style="list-style-type: none"> ▪ Reverse Osmosis ▪ Hydrotect ▪ Descaling ▪ Forging Press ▪ High Pressure Cleaning / Blasting | <p>MINING</p> <ul style="list-style-type: none"> ▪ Dewatering ▪ Slurry transport <ul style="list-style-type: none"> ▪ Iron / Nickel Ore ▪ Copper Concentrate ▪ Coal ▪ Hydraulic (high pressure water) Ore removal | <p>POWER</p> <ul style="list-style-type: none"> ▪ Charge [Nuclear PWR] ▪ Boiler Feed (small boilers) ▪ Start-up / Standby Boiler Feed (large boilers) ▪ Hydro test ▪ Seal Injection |
|--|--|--|---|---|

ALDRICH RECIPROCATING PUMPS

The ALDRICH engineered Reciprocating Pumps offer users a wide range of options to customize a solution for mission-critical pumping needs.

The ALDRICH Reciprocating Pump product line provides maximum operating flexibility. Available in horizontal and vertical configurations and customer specific materials. ALDRICH Reciprocating Pumps are engineered individually to meet the application's specific performance and installation requirements while reducing maintenance and replacement costs.

WHEN TO USE A RECIPROCATING PUMP

- High pressure with low flow
- Variable flow with constant pressure
- Constant flow with variable pressure
- High efficiency required

Key Features

- Vertical and horizontal configurations
- Sectionalized or monobloc liquid ends
- Triplex, Quintuplex, Septuplex and Nonuplex plunger Configurations
- Various plunger size/stroke combinations
- High-temperature, high-pressure & slurry designs
- Custom pressures for continuous duty pumping to 2070 bar (30 000 psi)
- Wide range of liquid end stuffing box and power end sealing arrangements, including high-temperature or environmentally hazardous services
- Wide choice of drive trains
- API 674 certified



MAIN ADVANTAGES

Reciprocating Pumps

- Fixed flow per revenue
- Flow is independent of pressure
- Pressure is independent of flow
- High efficiency

Centrifugal Pumps

- Varying flow per revenue
- Flow is pressure dependent
- Pressure is flow-dependent
- Low efficiency

5,500+ ALDRICH PUMP INSTALLATIONS IN 60+ COUNTRIES



Location Scotford Upgrader,
FT. Saskatchewan

Catalyst Transport Oil Pump

Temp 297 °C

Pressure 246 bar

Customer SHELL Canada

Pump type 3 units - 5 x 7HV3

Speed 123 rpm

Capacity 40 m3/h



Location Asgard A, Northsea

3-stage stuffing box

Temp 1 °C

Pressure 480 bar

Customer Statoil

Pump type 7V3

Speed 210 rpm

Capacity 40 m3/h



Project Lukoil Neftochim Burgas AD
Heavy Residue Process Complex First Phase

Temp 120 °C

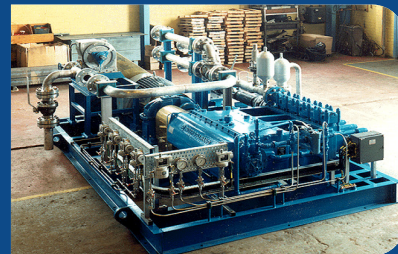
Pressure 246 bar

Customer Technip Italy S.p.A

Pump type 2 units 1,75 x 5HS3

Speed 186 rpm

Capacity Heavy vacuum gasoil



Location Greece

Motor and turbine driven

Temp 15 – 25 °C

Pressure 82,7 bar

Customer METEK SA

Pump type 5HS5

Speed 320 rpm

Capacity 72 m3/h



Location UK NORTH SEA

triangular baseplate / angle gear

Temp 27.5 °C

Pressure 621 bar

Customer BP Etap

Pump type box 9V5

Speed 154 rpm

Capacity 52 m3/h

MAJOR CUSTOMERS



ALDRICH RECIPROCATING PUMPS

RELATIONSHIP DRIVEN SERVICE, EXCEPTIONAL SUBJECT MATTER EXPERTISE, DELIVERED AROUND YOUR NEEDS.

The ALDRICH support services cover all aspects of support and consultancy that might be needed during your installation's life cycle. ALDRICH Pumps are designed for extended service life, often running for decades. If you need spare parts for your ALDRICH product or system, you can obtain these quickly anywhere in the world.

SPARE PARTS

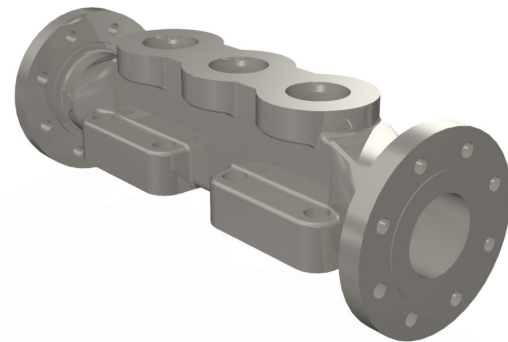
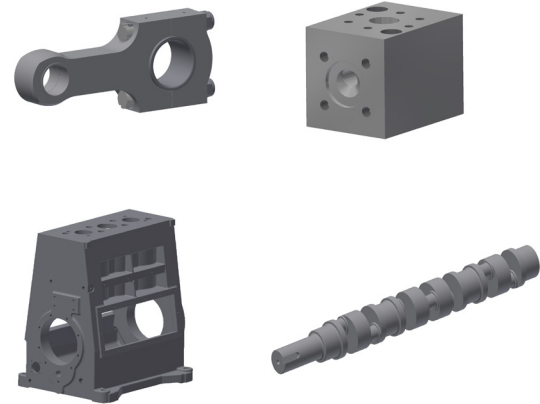
- Readily available parts for regularly scheduled maintenance and emergency callouts
- Latest standards
- Guaranteed quality and performance
- Stock and manufacture spare parts for heritage pumps no longer produced but still operational

REFURBISHED PARTS

- Accredited inspections to refurbish where viable
- Core pump components such as casings, hydraulics, and electrical parts will be refurbished

REVERSE-ENGINEERED PARTS

- Accredited inspection procedures
- Re-engineering where different performance is required
- Obsolete parts from other reciprocating manufacturers
- State-of-the-art scanning and computer modeling capabilities ensure any reverse-engineered product meets or exceeds the original specifications.



REPAIRS & OVERHAULS

ALDRICH's repair facilities provide world-class support through our international master service centers as well as our service partner network. Our professional and highly skilled staff are ready to support anywhere in the world.

Reciprocating Pumps, due to their nature of the operation, can require considerable spare parts stock for routine maintenance, power-end, and liquid-end components.

These typically consist of:

- O-Rings for all liquid end metal to metal face seals
- Stuffing box packing, plungers, and bushes
- Valve components and assemblies
- Crosshead extension rod seals (for horizontal pumps)
- Crankshaft seals
- Inspection cover gaskets

Components required for a complete pump overhaul typically include

- Pull/side rods [vertical pumps]
- Liquid cylinder gaskets [vertical pumps]
- Power end bearings [horizontal and vertical pumps]

EQUIPMENT LIFE EXTENSION

Recognizing that plants are being operated beyond their original design intent, we offer our customers Equipment Life Extension reviews to validate the continued operation of plant equipment past the original design life.

SYSTEM EXTENSION

ALDRICH can provide different solutions to upgrade your system, e.g., electrical control, motor protection, soft starter, to improve service intervals and extend the lifetime.

UPGRADES

PERFORMANCE. EFFICIENCY. LIFETIME EXTENSION. ALDRICH upgrades ensure the ongoing performance and reliability of your equipment, and we help protect the value of your assets through upgrades to minimize capital expenditures and maximize performance and reliability.

Upgrade capabilities

- Component material and design upgrades
- Performance increase upgrades
- Extended service intervals
- Complete revamps

ENGINEERING SERVICES AND SYSTEM CONSULTANCY

Our Engineering department is on hand to help you with your engineering challenges, including feasibility studies, design proposals for new installations or plans to remodel, expand or upgrade existing reciprocating pump systems.

ON-SITE SUPPORT AND INSTALLATION

As the reliability experts in reciprocating pumps and motors, we provide sound engineering expertise and specialist advice.

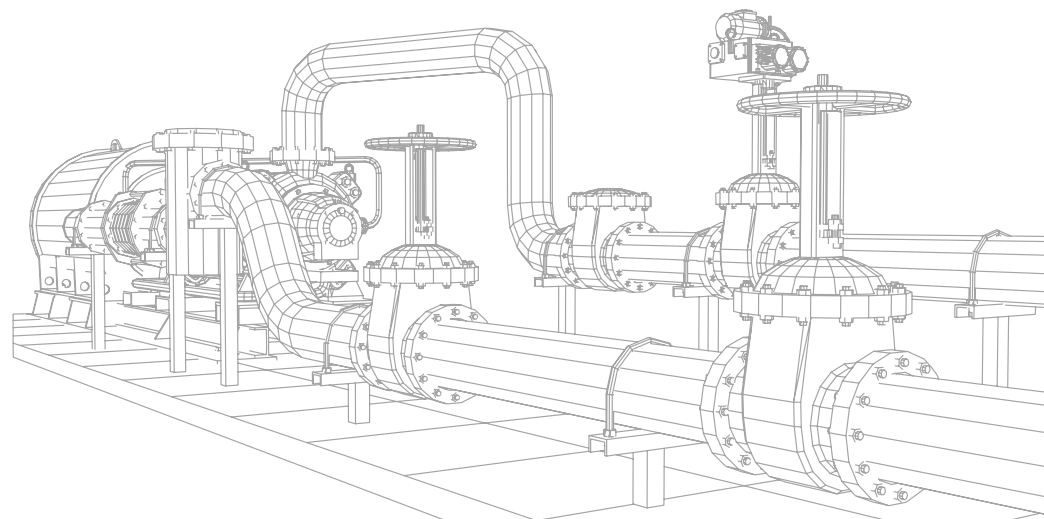
INTERNATIONAL SERVICE TEAM

- Installation planning and on-site support at customer sites
- Project management
- Supervision of installation to start-up and commissioning
- Extensive training at our service centers

We recommend using PLEUGER field service technicians to ensure all the connections and control systems are set up correctly for a stable and reliable operating system from the outset.

KITTING SERVICES

We can supply many component replacements in kit form, making it easy to purchase, ship, service, and remove the need for pre-assembly.



INSTALLATION AND SUPPORT CAPABILITIES

-  Installation supervision and planning
-  Inspections
-  Installation supervision
-  Start-up and commissioning support
-  Worldwide support and project management





DEDICATED SUPPORT TEAM

Committed to solving problems and reducing downtime, the dedicated ALDRICH Care support team are there for you 24/7.



INVESTMENT IN PEOPLE

We invest in the development of our staff through continual professional education in areas such as health & safety, engineering, and project management. Our commitment is to both developing the individual and continual improvement of our customer service.



CERTIFIED MANAGEMENT SYSTEMS

We work to the highest quality assurance standards throughout the entire product life cycle, including ISO 9001

THE RELIABILITY EXPERTS FOR ALDRICH PUMP AND MOTOR SYSTEMS

ADVANTAGES OF THE ORIGINAL ALDRICH SERVICES

- Experts in reliability of pump systems
- Decades of market / application experience including Oil & Gas, mining, water and general industries
- Dedicated support team
- Global reputation for reliability and committed to maximising the reliability and availability of customer equipment
- Worldwide network of support partners
- Equipment installed in over 100 countries

ALDRICH RAPID ENQUIRY & QUOTE SERVICE

OUR DEDICATED SUPPORT TEAM IS THERE FOR YOU

For fast response and comprehensive quote please provide us With the following details:

- Equipment type
- Serial Number
- Part Description

We will contact you as soon as possible.

SPARE PARTS

Tel. 49 (0) 40 69 689 200
spareparts@pleugerindustries.com

GENERAL ENQUIRIES

Tel. +49 (0) 40 69 689 770
hamburg@pleugerindustries.com



www.pleugerindustries.com/aldrich

HEADQUARTERS: PLEUGER Industries GmbH
Friedrich•Ebert•Damm 105, 22047 Hamburg, Germany